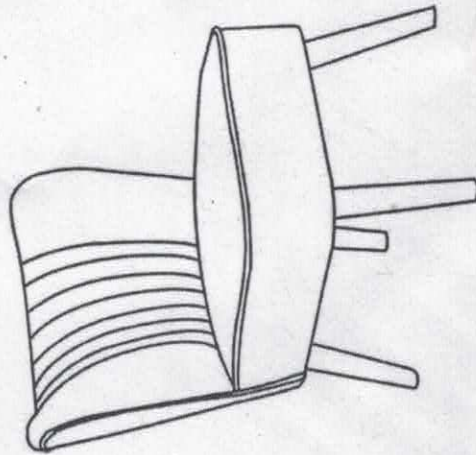




# AWAWING

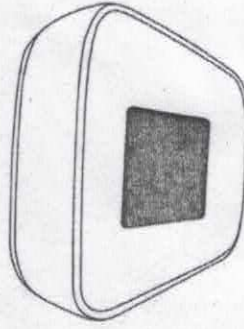
## ASSEMBLY INSTRUCTION

PACKING LIST		
CODE	PARTS	QTY
1	CHAIR	1
2	LEGS	4
3	MANUAL INSTRUCTION	1



HARDWARE LIST		
CODE	PARTS	QTY
A	M6x25mm 	16
B	ALLEN KEY 	1

STEP 1: TAKE LEGS AND SCREWS OUT OF SEAT



4 LEGS AND SCREWS INSIDE

STEP 2: PUT THE SCREWS IN THE HOLES, TIGHTEN THE SCREWS, 100%

